

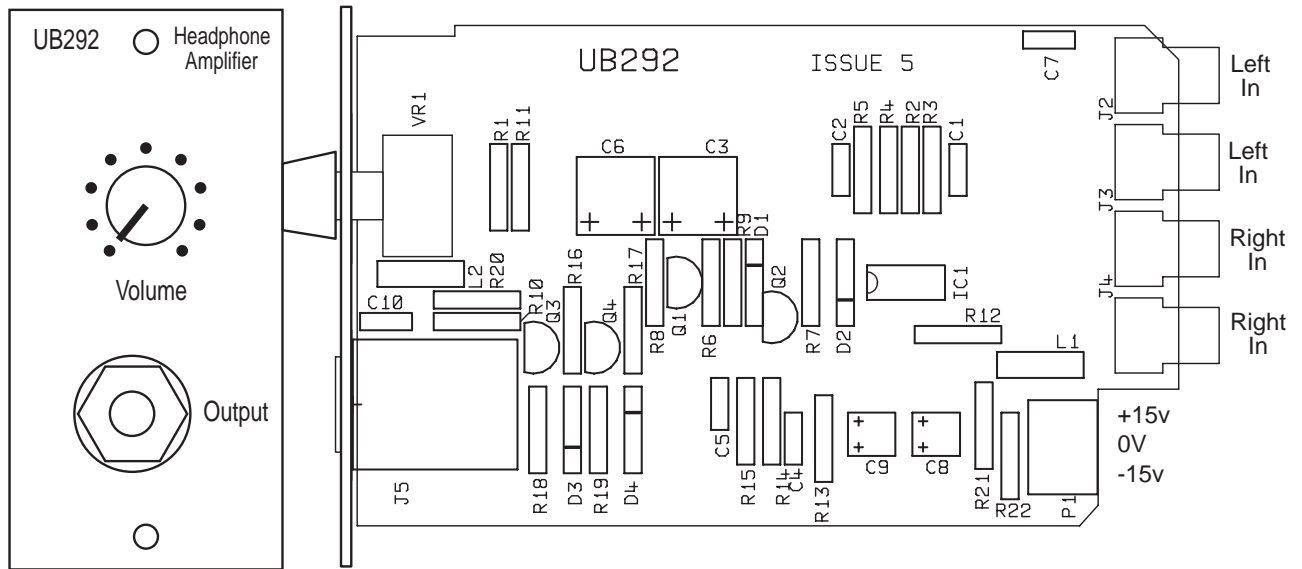
UB292 Stereo Headphone Amplifier

The stereo headphone amplifier is capable of driving headphones of impedance range of 8R to 600R. The inputs are unbalanced on duplicated connectors to allow daisy chaining for distributed headphone systems.

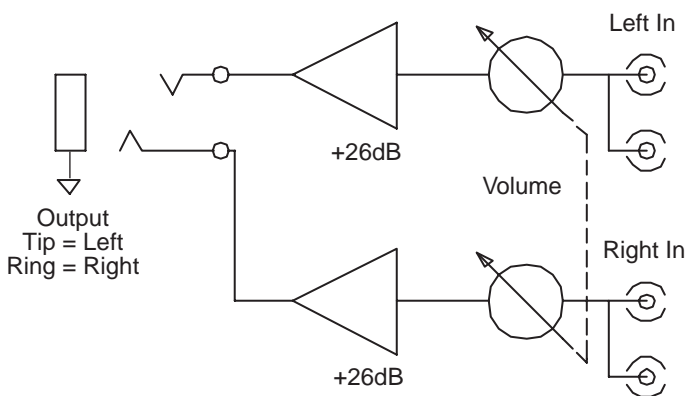
Volume is controlled by a front panel potentiometer. The module has sufficient gain -10dBv input signals to fully drive high-impedance headphones.

This modules is designed for recording studios, discotheques, audio visual facilities, and for headphone distribution in record stores and museums.

CONNECTIONS AND CONTROLS



BLOCK DIAGRAM



SPECIFICATIONS

Frequency Response	+0/-0.05dB, 20Hz to 20kHz
Signal to Noise Ratio	< 0.05% 1kHz, 0.1W, 8R
Gain	26dB maximum
Input impedance	47k unbalanced
Output power	2 x 0.1W into 8R 2 x 0.15W into 200R 2 x 0.08W into 600R
POWER SUPPLY	+/-15V @ 40mA



In keeping with our policy of continuous improvement LA Audio reserves the right to alter specifications without prior notice. Manufactured in the UK by LA Audio, 6-24 Southgate Road, London, N1 3JJ.

Tel: +44 (0)207 923 7447, FAX: +44 (0)207 241 3644. Web: www.laaudio.co.uk. email: sales@laaudio.co.uk

An SCV International Group Company.

Rev 1.0 11/00.